

SPECIFICATIONS

PCI EXPRESS

Mechanical

Contact Retention Force: 0.50kgf min.  
 Mating force: 117gf max. per contact pair  
 Unmating Force: 15.4gf min per contact pair  
 Durability: 50 Cycles

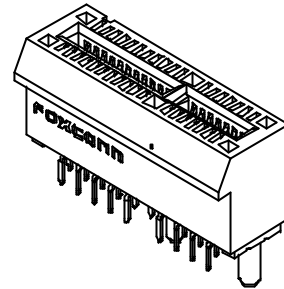
Electrical

Current Rating: 1.1A max.  
 Contact Resistance: 30mW max. initial  
 Dielectric Withstanding Voltage: 300V  
 Insulation Resistance: 1000MW min.

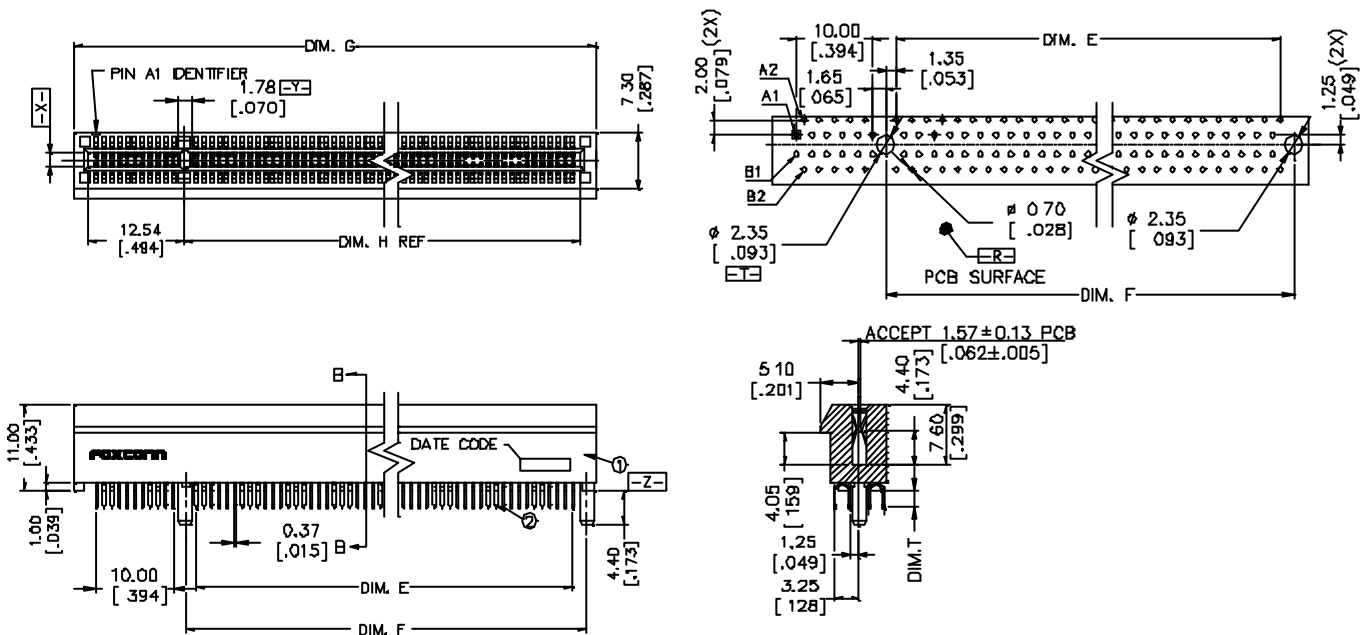
Physical

Housing: Thermoplastic, UL 94V-0 rated, in Black Color  
 Contact: Copper alloy  
 Plating: See "ORDERING INFORMATION"  
 Operating Temperature: -40 to +105

2EG Series  
 Vertical Type  
 1. 00mm [.039"] Pitch  
 36 Pos. (1X)  
 64 Pos. (4X)  
 98 Pos. (8X)  
 164 Pos. (16X)



DRAWING



ORDERING INFORMATION

PRODUCT NO. 2 E G 0 \* \* \* \* - D 2 D - \* \*

PCI-Express \_\_\_\_\_  
 Vertical Type \_\_\_\_\_  
 # Position \_\_\_\_\_  
 18 36 POS (1X)  
 32 64 POS (4X)  
 48 98 POS (8X)  
 62 164 POS (16X)  
 Solder Tail Lead Length \_\_\_\_\_  
 1 2.30 (FOR 1.57 THK PCB)  
 2 3.10 (FOR 2.38 THK PCB)

Plating Type:  
 DN: Tin/Lead  
 DF: Lead Free

Extension Code \_\_\_\_\_

Contact Aear Gold Plating:  
 1 GOLD FLASH  
 7 15u" GOLD  
 ± 30u" GOLD

2EG082** - D20 - **	72.64	89.00	73.15	70.00	2.30	3.10
2EG049** - D20 - **	39.54	56.00	40.15	37.00	2.30	3.10
2EG032** - D20 - **	22.54	39.00	23.15	20.00	2.30	3.10
2EG018** - D20 - **	8.54	25.00	8.15	6.00	2.30	3.10
P/N					1.57 PCB	2.38 PCB
	DIM. H	DIM. G	DIM. F	DIM. E	DIM. T	