

**SPECIFICATIONS**

**Mechanical**

**Contact Retention Force:** 0.10kg min.  
**Durability :** 25 Cycles

**Electrical**

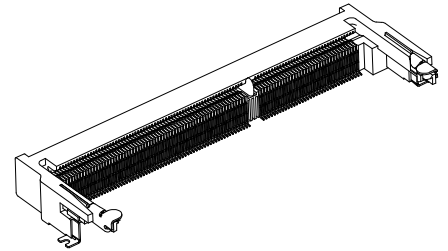
**Voltage Rating:** 25V  
**Current Rating:** 0.5A  
**Contact Resistance:** 50mΩ max.  
**Dielectric Withstanding Voltage:** 250V AC/1 min.  
**Insulation Resistance:** 100MΩ

**Physical**

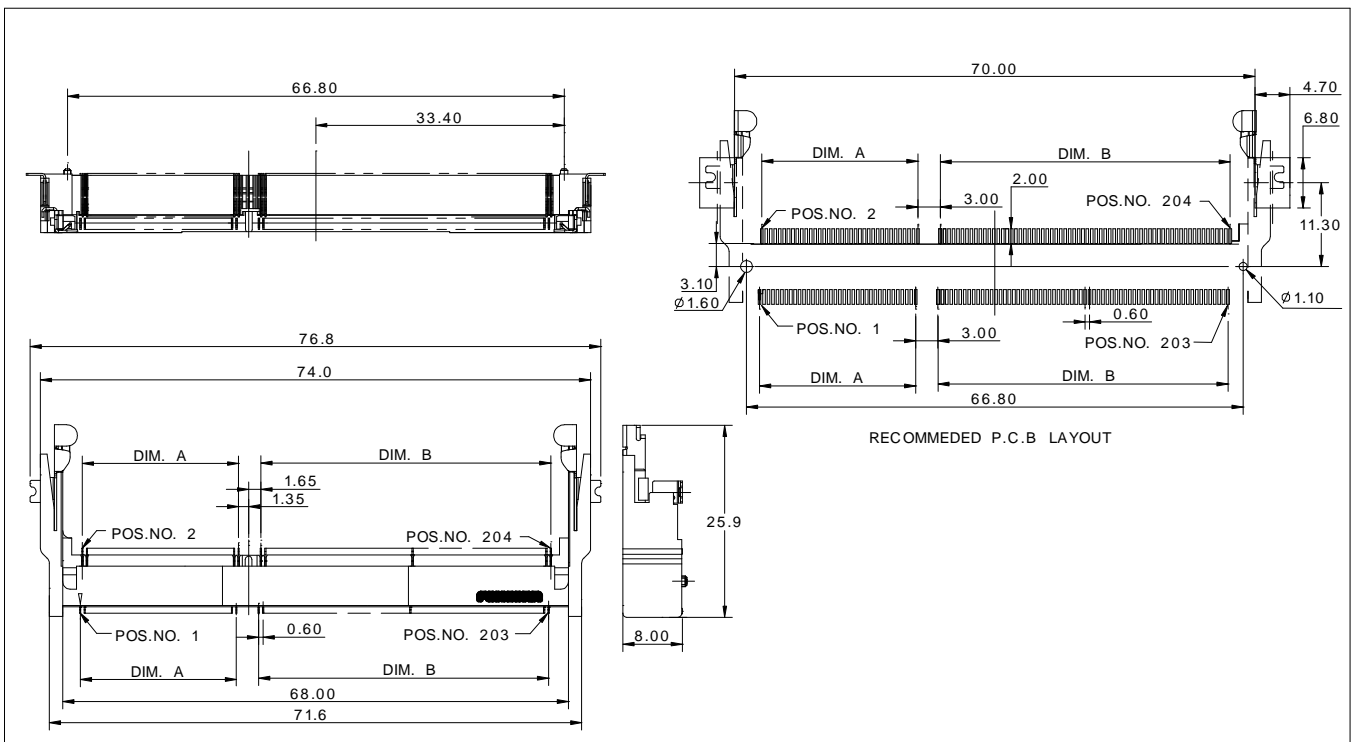
**Housing:** Thermoplastic, UL 94V-0 rated in Ivory Color  
**Contact:** Copper alloy  
**Plating:** See "ORDERING INFORMATION"  
**Metal Spring:** Copper alloy  
**Operating Temperature:** -55°C to +85°C

**DDRIII SO DIMM Socket**

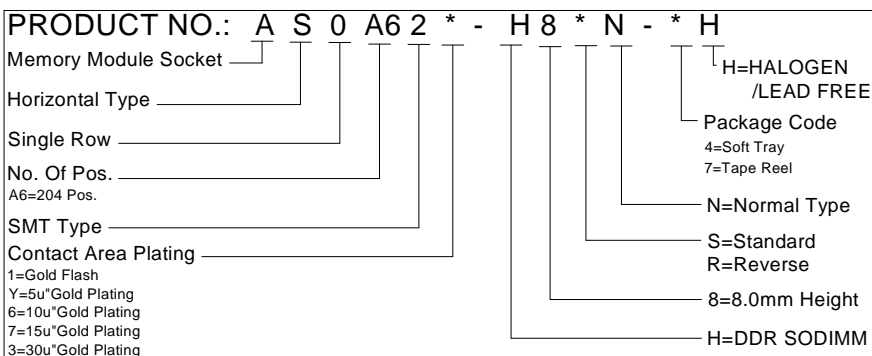
**AS Series**  
**8.0mm Height**  
**SMT Type**  
**0.60mm Pitch**  
**204 Pos.**



**DRAWING**



**ORDERING INFORMATION**



AS0A62* - H8SN- *H	21.00	39.00
AS0A62* - H8RN- *H	39.00	21.00
P/ N	DIM.A	DIM.B